



MODEL C-S/R-HC-A

CEILING DAMPER SQUARE AND RECTANGULAR

U.L. 555C CLASSIFIED AND ULC S112.2 LISTED

Approved for 1 Hour Rated

Application and Design

The Model C-S/R-HC-A is a square/rectangular UL Classified ceiling (radiation) damper, butterfly style, tested and specifically approved for specific UL ceiling designs listed below incorporating wood joist and gypsum construction. UL designs specifically approved for this damper are L501, L502, L503, L506, L507, L508, L512, L513, L514, L515, L516, L517, L519, L522, L523, L533, L537, L545, L581, L583, M520, M538, M553. These dampers provide protection up to 16" x 12" (406mm x 305mm) openings. Standard ceiling radiation designs approved to UL 555C standard are not acceptable to be used in designs mentioned above. Refer to UL Fire Resistance Directory for further details.

Standard Construction

Frame: Roll formed. - 22 Ga. Galvanized Steel

Blades: 22 Ga. - Galvanized Steel

Spring: Corrosion resistant steel spring.

Fusible Link: Replaceable 212°F (100°C) standard/165°F (74°C) Available

Round Inlet: 4", 5", 6"

Oval Inlet: 6", 8", 10"

Designed and tested in accordance to standards: UL 555C, ULC S112.2. Labeled and listed by UL/ULC under File #R27747. They meet all the NFPA-90A, IBC Code, and other major code requirements for Ceiling (Radiation) Dampers.

Standard Sizes (duct)		
Shape	**Min. Size	**Max. Size
Rectangular C-S/R-HC	4" X 6" (101mm X 152mm)	16" X 12" (406mm X 305mm)
Round C-RD-HC	5" Diameter (127mm)	15" Diameter (381mm)

Dampers less than 110 sq. in. are shipped **without gypsum installed on damper. Gypsum shall be field supplied for damper and ceiling. Dampers greater than 110 sq. in. are shipped **with** insulation factory installed on blades and box.

SUGGESTED SPECIFICATION

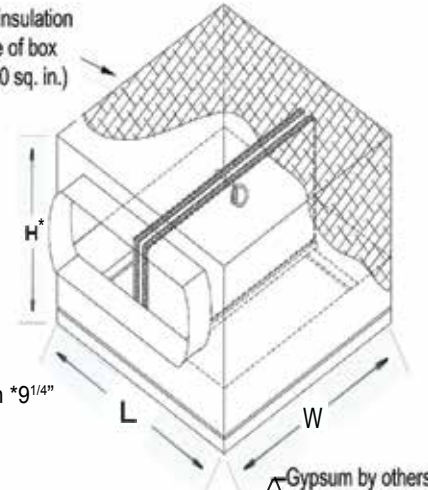
Ceiling dampers shall be CVS models: C-S/R-HC-A. The dampers shall bear the UL label identifying them to be approved for use in a UL ceiling design LXXX. Dampers shall be listed in the UL Fire Resistance Directory as being approved for use in the submitted ceiling being installed. These ceiling dampers shall be installed per the manufacturer's installation instructions which were approved by Underwriter's Laboratories. Approved dampers from other agencies are not permitted for approval on a UL system. Standard ceiling radiation dampers approved for use in place of hinged door dampers are not acceptable.

Manufacturer's Recommendations

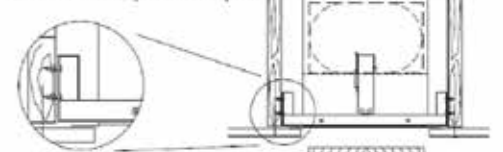
All moving parts of the damper must be inspected and cycled once the first year and at intervals not greater than every 4 years or in accordance with the latest edition of NFPA 90A, 92A, local codes and the manufacturer. In addition, fuse links shall be removed and inspected for corrosion.



U.L. Classified insulation wrap on outside of box (Larger than 110 sq. in.)

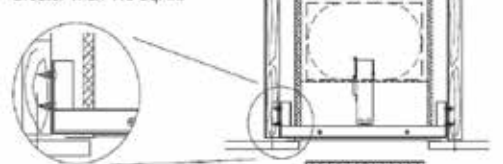


Less Than and Equal to 110 Sq. In.



Insulated by U.E.

Greater Than 110 Sq. In.



Job Name:
Location:
Architect:
Engineer:
Contractor:

MODEL C-S/R-HC-A